



COMPONENTS CONTROLS MOTION SYSTEMS

technology and passion

40 years

OF EXPERIENCE



40 years

OF EXPERIENCE



global in service



green company



100% self-supplied photovoltaic energy





human inspiration

FOR MOTION CONTROL



automation

COMPONENTS

motion

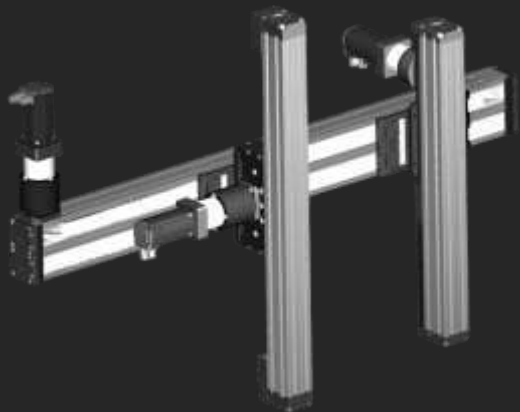
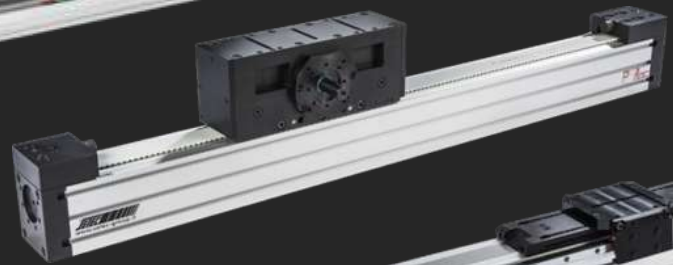
CONTROL

linear

SYSTEMS

LINEAR
systems

DYNA
ACTIC



assembly machines

**DINA
ACTIC**

LINEAR SYSTEMS

APPLICATIONS



www.setec-group.com

polishing machines

DINA
ACTIC

LINEAR SYSTEMS

APPLICATIONS



www.setec-group.com

winding machines

DINA
ACTIC

LINEAR SYSTEMS

APPLICATIONS



www.setec-group.com

Automated warehouse

DINA
ACTIC

LINEAR SYSTEMS

APPLICATIONS



www.setec-group.com

food processing

DINA
ACTIC

LINEAR SYSTEMS

APPLICATIONS



www.setec-group.com



cutting machines

DINA
ACTIC

LINEAR SYSTEMS

APPLICATIONS



www.setec-group.com

bar feeders

DINA
ACTIC

LINEAR SYSTEMS

APPLICATIONS

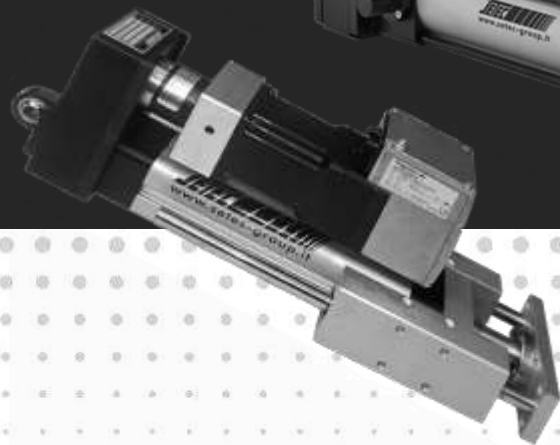
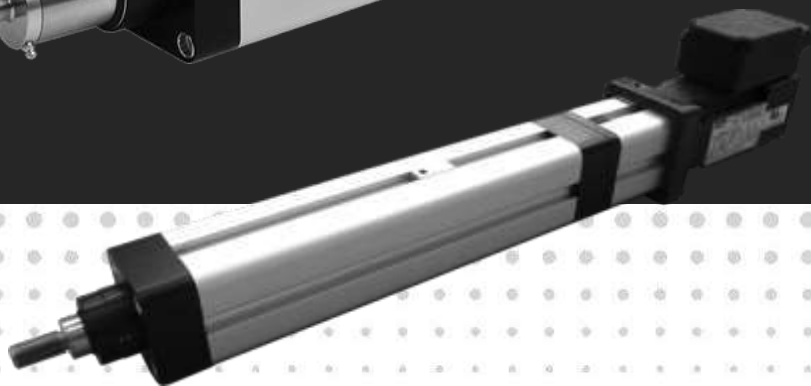


[www.setec-
group.com](http://www.setec-group.com)



SERVO
actuators ISOMOVE

ISOMOVE

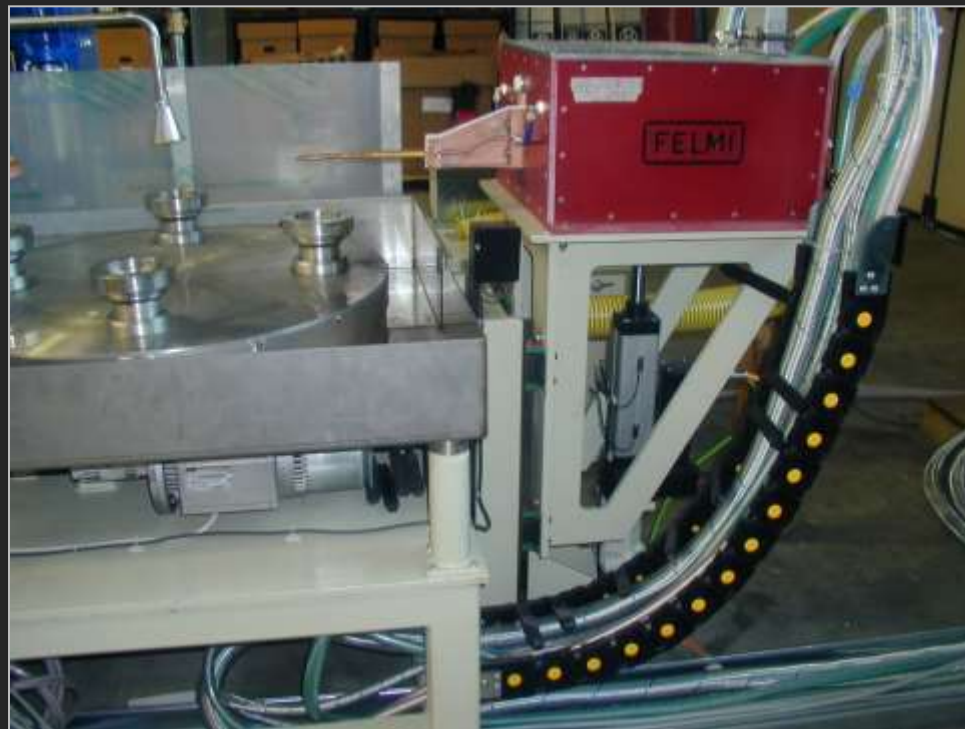




heat treatment machines

ISO MOVEC

SERVOACTUATORS
APPLICATIONS



www.setec-group.com

high frequency plastic welding machines

ISO MOVEC

SERVOACTUATORS
APPLICATIONS



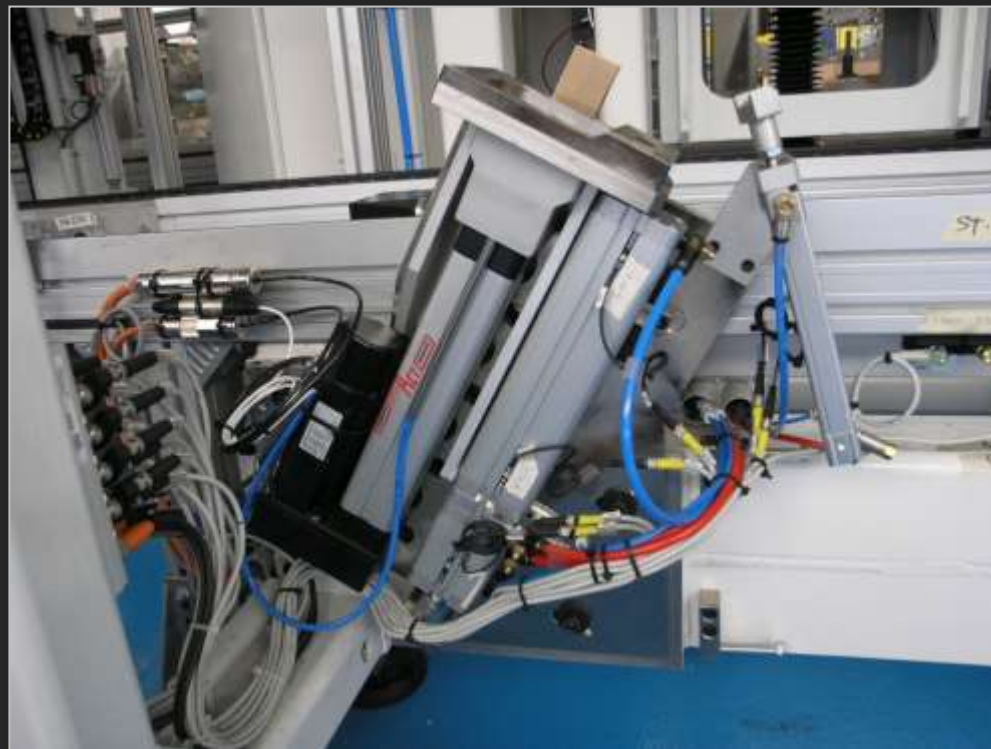
www.setec-
group.com



glass working machines

ISO MOVEC

SERVOACTUATORS
APPLICATIONS



www.setec-
group.com

P.E.T. blowing machines

ISO MOVEC

SERVOACTUATORS
APPLICATIONS



www.setec-
group.com



automated forklifts

ISO MOVE

SERVOACTUATORS
APPLICATIONS



www.setec-
group.com

metal forming machines

ISO MOVEC

SERVOACTUATORS
APPLICATIONS



www.setec-
group.com

MECHANICAL SCREWJACKS

S.E.L. european light series

INDACTIC



induction hardening machines



S.E.L.

SCREWJACKS
APPLICATIONS



www.setec-group.com

aerospace industry

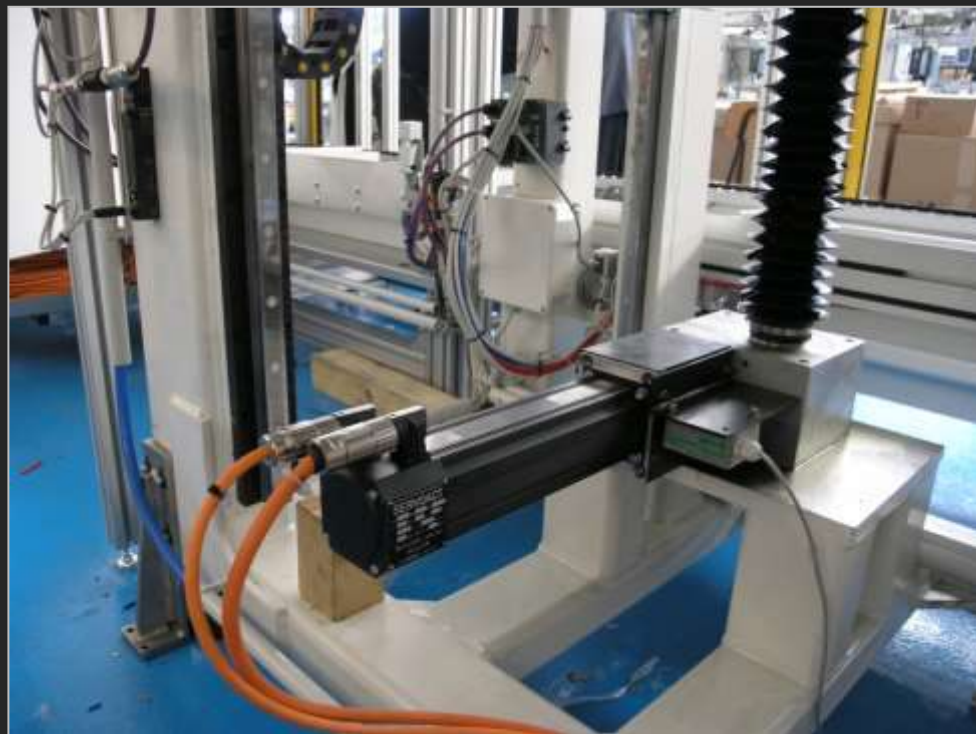
INDACTIC

S.E.L.

SCREWJACKS
APPLICATIONS



www.setec-group.com



metal sheet bending machines

INDACTIC

S.E.L.

SCREWJACKS
APPLICATIONS



www.setec-group.com

printing machines

INDACTIC

S.E.L.

SCREWJACKS
APPLICATIONS



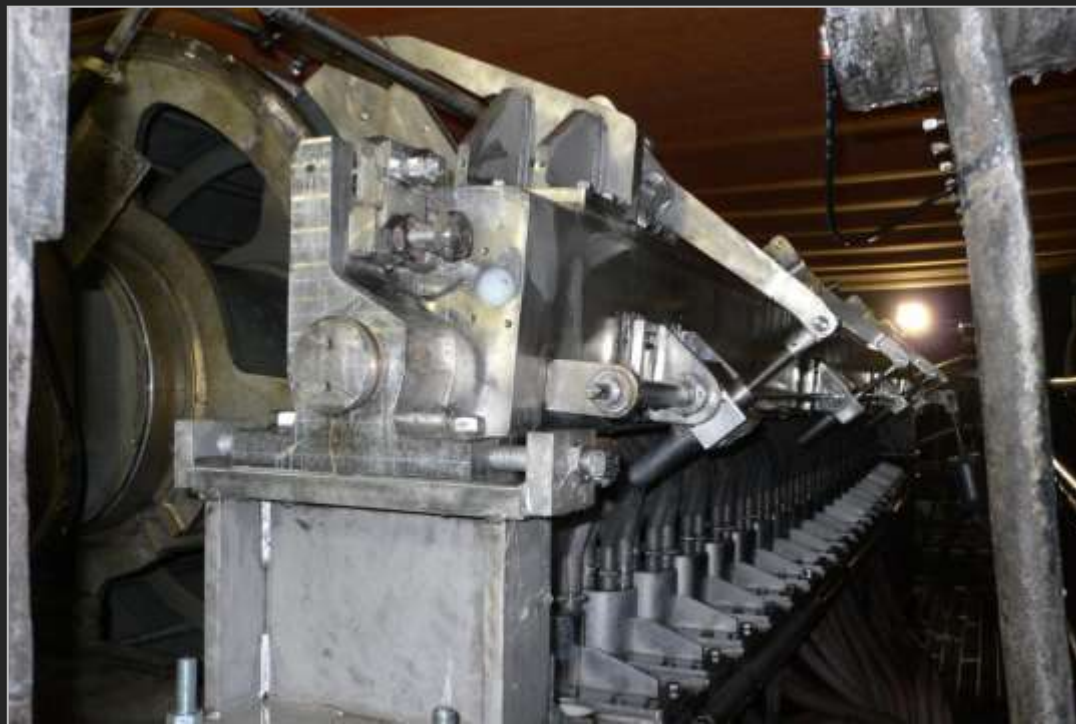
www.setec-
group.com

pulp and paper

INDACTIC

S.E.L.

SCREWJACKS
APPLICATIONS



www.setec-
group.com

wire forming machines

INDACTIC

S.E.L.

SCREWJACKS
APPLICATIONS



www.setec-
group.com

automated car parking



S.E.L.

SCREWJACKS
APPLICATIONS



www.setec-group.com



MECHANICAL SCREWJACKS

S.E.P. european heavy series

INDACTIC

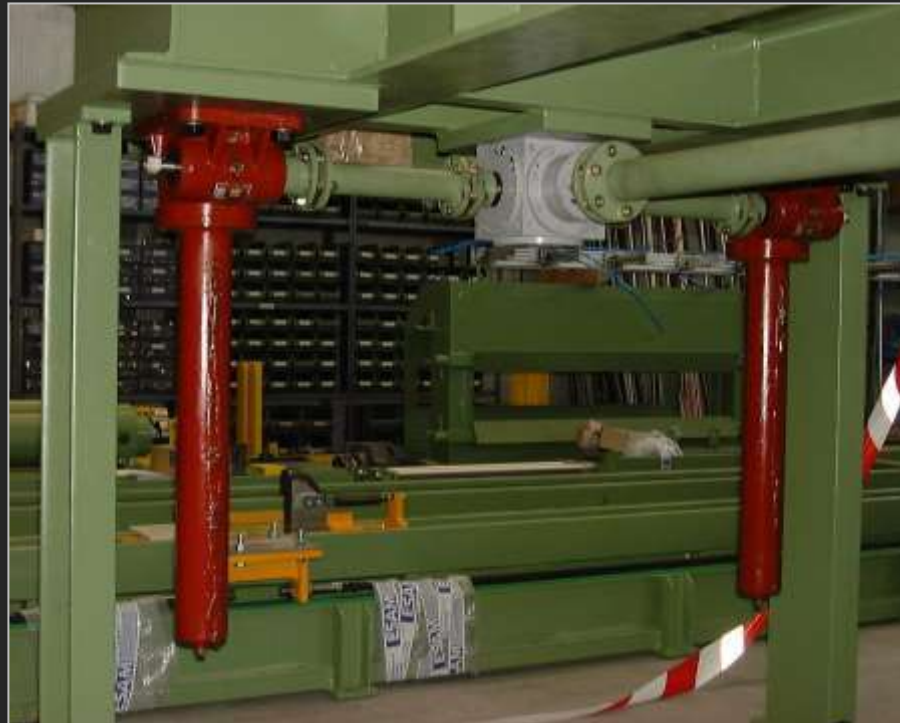


bricks production machines

INDACTIC

S.E.P

SCREWJACKS
APPLICATIONS



www.setec-
group.com

metal forming machines

INDACTIC

S.E.P

SCREWJACKS
APPLICATIONS



www.setec-group.com

vertical lathe



S.E.P

SCREWJACKS
APPLICATIONS



www.setec-group.com

concrete testing machines

INDACTIC

S.E.P

SCREWJACKS
APPLICATIONS



www.setec-
group.com



ELECTROMECHANICAL LINEAR ACTUATORS

ECO series



pasta working machines

INDACTIC

ECO

LINEAR ACTUATORS

APPLICATIONS



www.setec-
group.com

aseptic bag fillers



ECO

LINEAR ACTUATORS
APPLICATIONS



www.setec-group.com

food filling machines

INDACTIC

ECO

LINEAR ACTUATORS

APPLICATIONS



www.setec-group.com

type balancing machines



ECO

LINEAR ACTUATORS

APPLICATIONS



www.setec-group.com

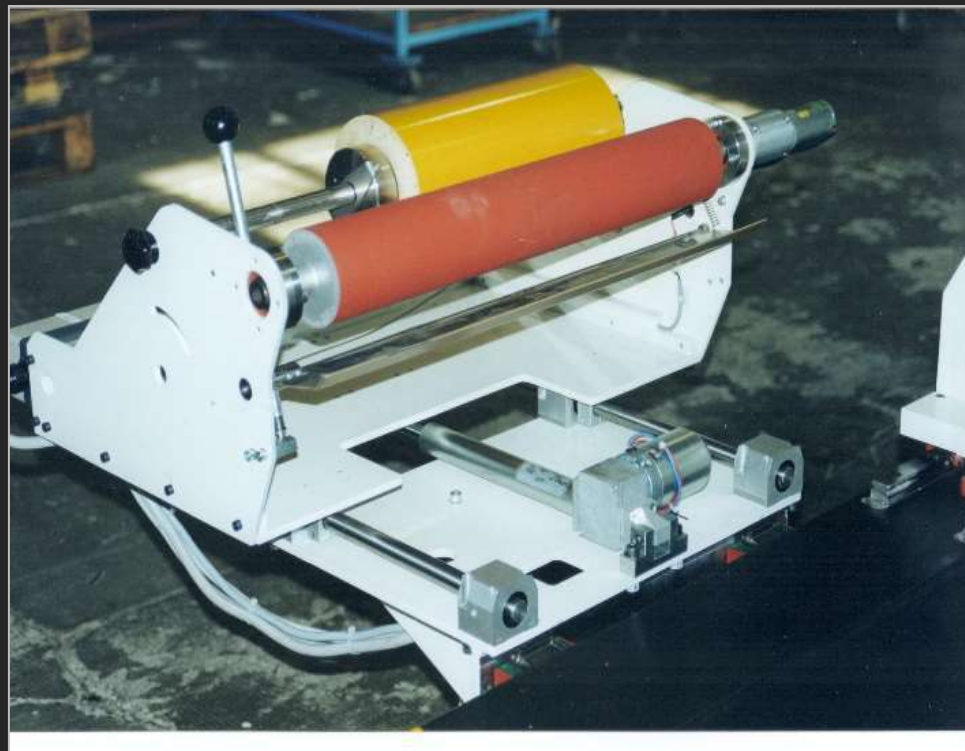
printing machines

INDACTIC

ECO

LINEAR ACTUATORS

APPLICATIONS



www.setec-group.com



ELECTROMECHANICAL LINEAR ACTUATORS

ECU series



AGV vehicles



ECU

LINEAR ACTUATORS

APPLICATIONS



www.setec-group.com

food packaging



ECU

LINEAR ACTUATORS
APPLICATIONS



www.setec-group.com

mechanical presses



ECU

LINEAR ACTUATORS

APPLICATIONS



www.setec-group.com

plastic injection machines

INDACTIC

ECU

LINEAR ACTUATORS

APPLICATIONS



www.setec-
group.com



stone working machines

INDACTIC

ECU

LINEAR ACTUATORS

APPLICATIONS



www.setec-group.com

tyre regeneration machines



ECU

LINEAR ACTUATORS

APPLICATIONS



www.setec-group.com



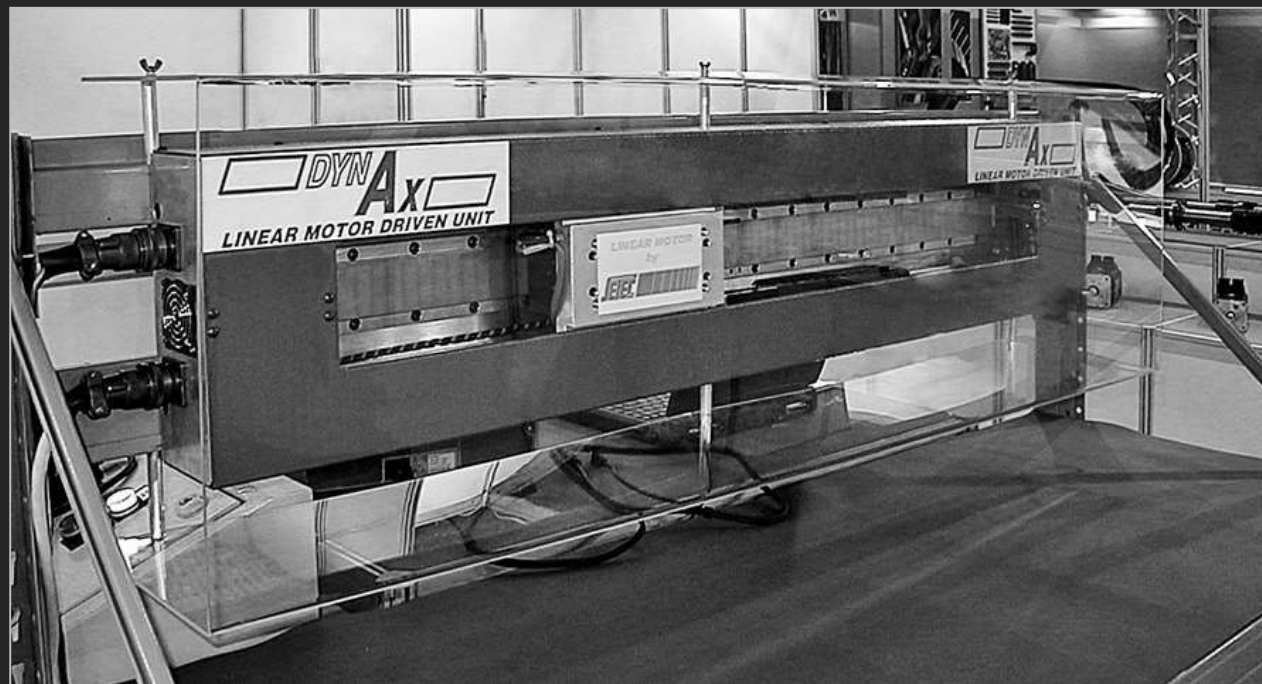


www.setec-group.com

customized solutions

customized solutions

linear motor unit



www.setec-
group.com

customized solutions

linear motor unit

linear motor application



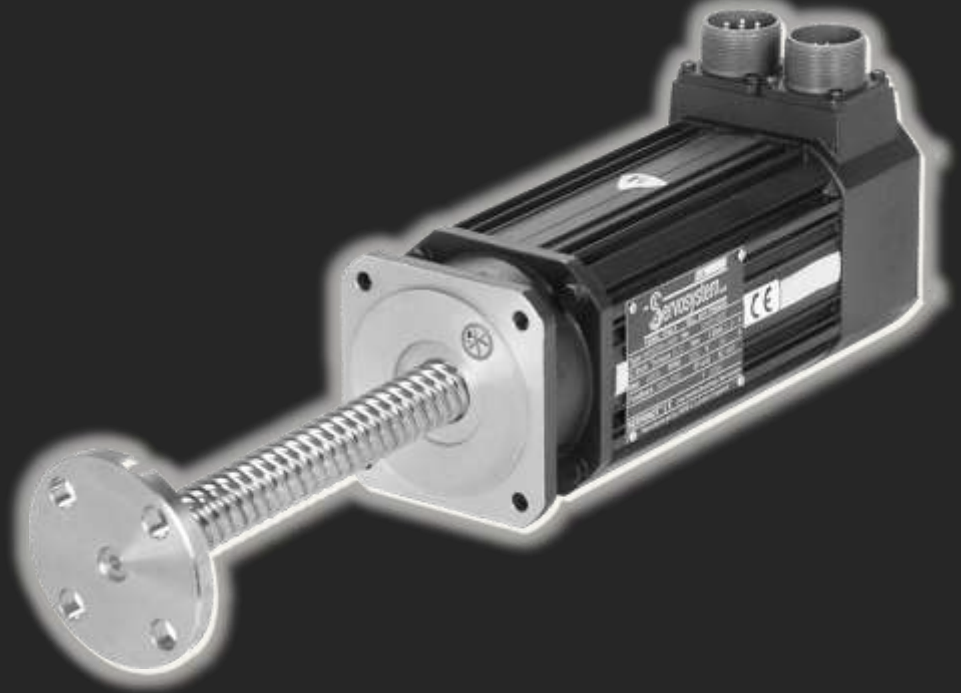
www.setec-
group.com

customized solutions

linear motor unit

linear motor application

hollow brushless motor with ballscrews



www.setec-
group.com

customized solutions

linear motor unit

linear motor application

hollow brushless motor with ballscrews

High dynamics screw jack

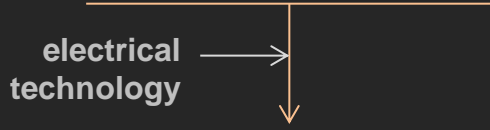


www.setec-group.com

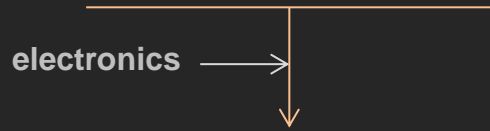


system integrators

MECHANICAL ENGINEERING



MECHANIZATION



ELECTROMECHANICAL SYSTEMS

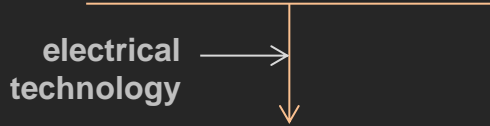


MECHATRONICS

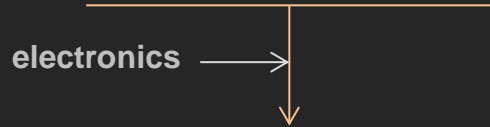
THREE AXIS COMPLETE LINEAR SYSTEM



MECHANICAL ENGINEERING



MECHANIZATION



ELECTROMECHANICAL SYSTEMS



MECHATRONICS

TWO AXIS COMPLETE LINEAR SYSTEM



MECHANICAL ENGINEERING

electrical
technology

MECHANIZATION

electronics

ELECTROMECHANICAL
SYSTEMS

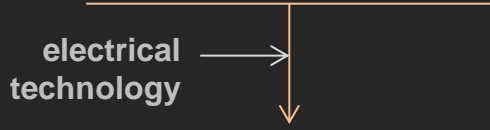
information
technology

MECHATRONICS

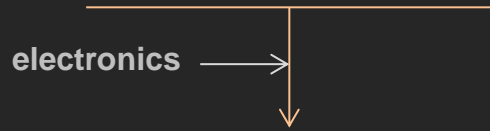
TWO AXIS COMPLETE LINEAR SYSTEM



MECHANICAL ENGINEERING



MECHANIZATION

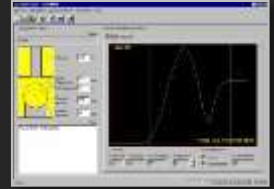


ELECTROMECHANICAL SYSTEMS

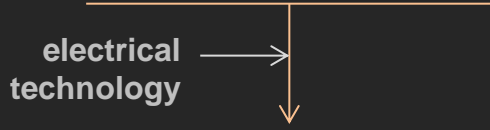


MECHATRONICS

SINGLE AXIS COMPLETE LINEAR SYSTEM



MECHANICAL ENGINEERING



MECHANIZATION



ELECTROMECHANICAL SYSTEMS



MECHATRONICS

THREE AXIS COMPLETE LINEAR SYSTEM



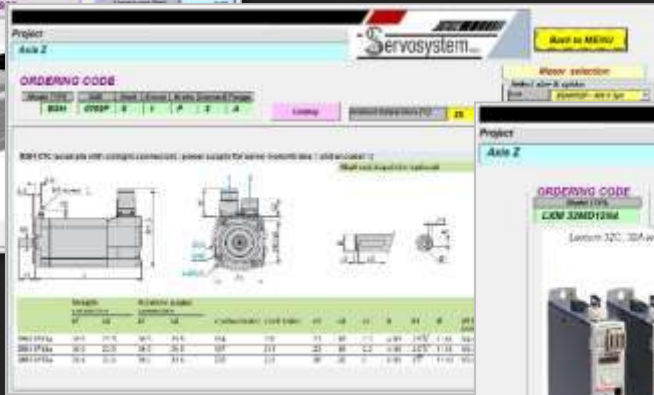


www.setec-group.com

application software

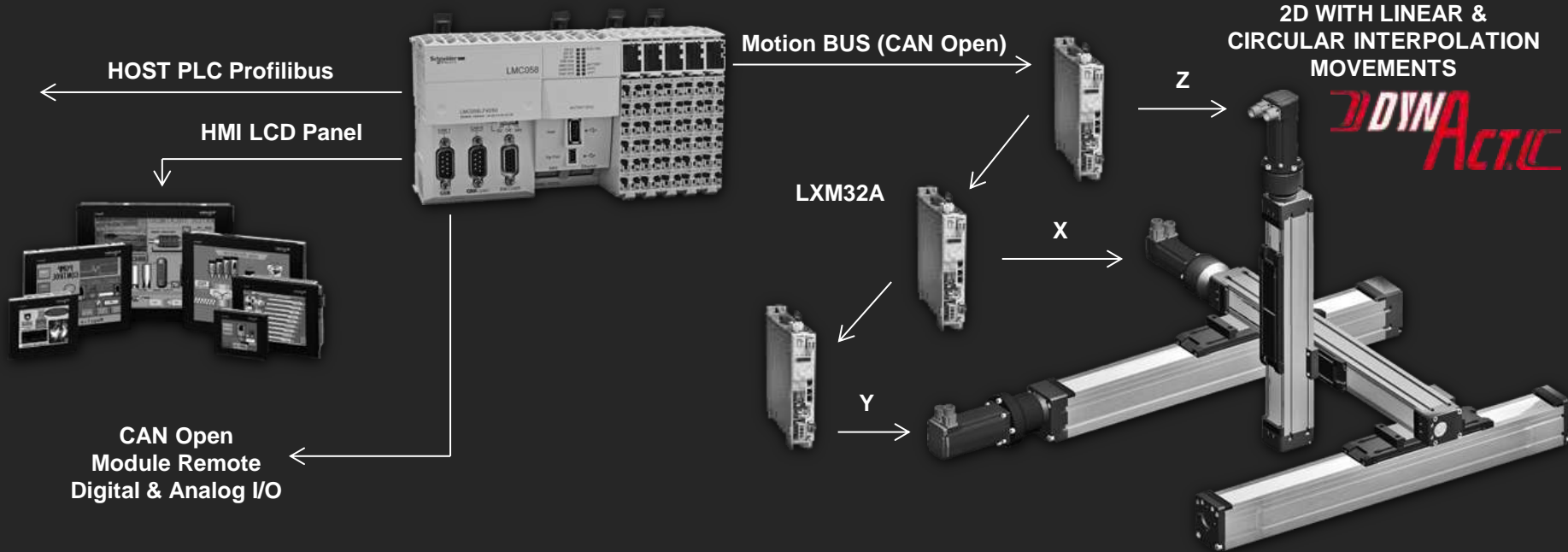
application software

«tailor-made» mechatronics



application software

S.P.E.E.D. (Setec Professional European Easy Devices) for mechatronics





quality and control

quality and control



Specialized and certified measuring benches in a **SOPHISTICATED MEASURING ROOM** (subject to hygrometric, temperature and dust checking) which allow us to guarantee that essential quality in a complex and multidisciplinary technology such as motion control.



quality and control



Specialized and certified measuring benches in a **SOPHISTICATED MEASURING ROOM** (subject to hygrometric, temperature and dust checking) which allow us to guarantee that essential quality in a complex and multidisciplinary technology such as motion control.



www.setec-
group.com

quality and control



All this is completed by a **MECHATRONIC APPLICATION CENTER** which checks the functioning of both the components and the servosystems.



www.setec-
group.com



facilities

Setec's facilities



assembly area



Setec's facilities



heat treatment



cutting area



Setec's facilities



CNC machining area



Setec's facilities



testing area



logistics



Setec's facilities



technical dept.



sales dept.



Setec's facilities



training room

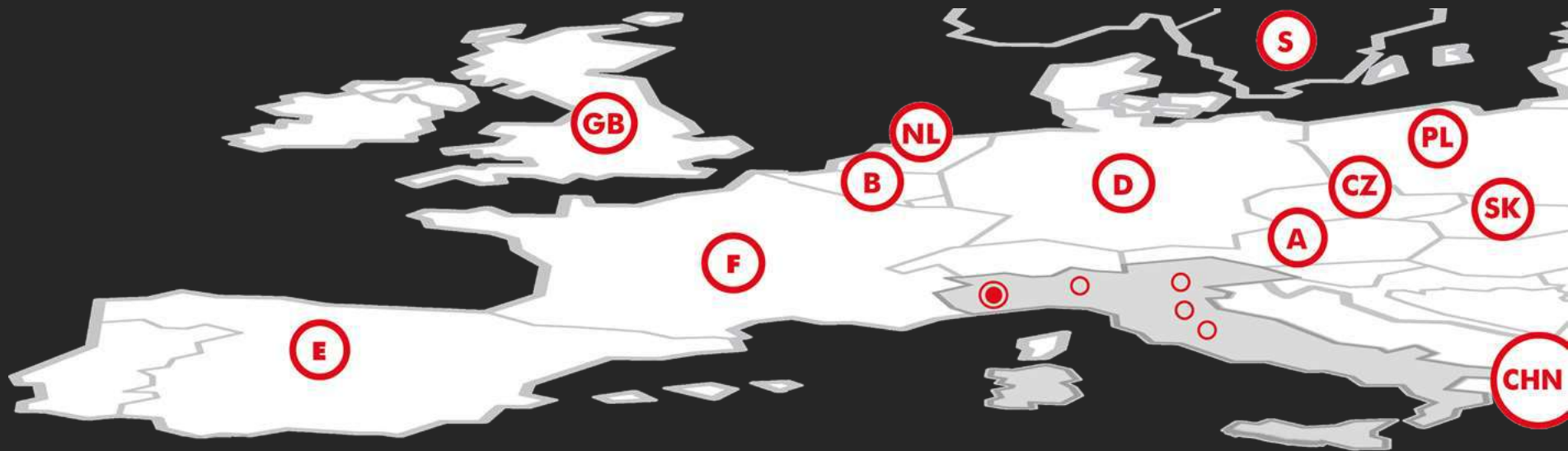


entrance hall





www.setec-group.com



a global service



COMPONENTS CONTROLS MOTION SYSTEMS

technology and passion