

FILTER MEDIA



FOR ASPHALT INDUSTRY

GAS AND LIQUID FILTRATION

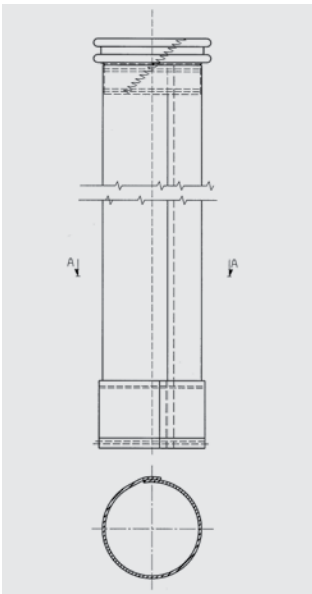
 **testori**[®]
TESTORI GROUP

Introduction

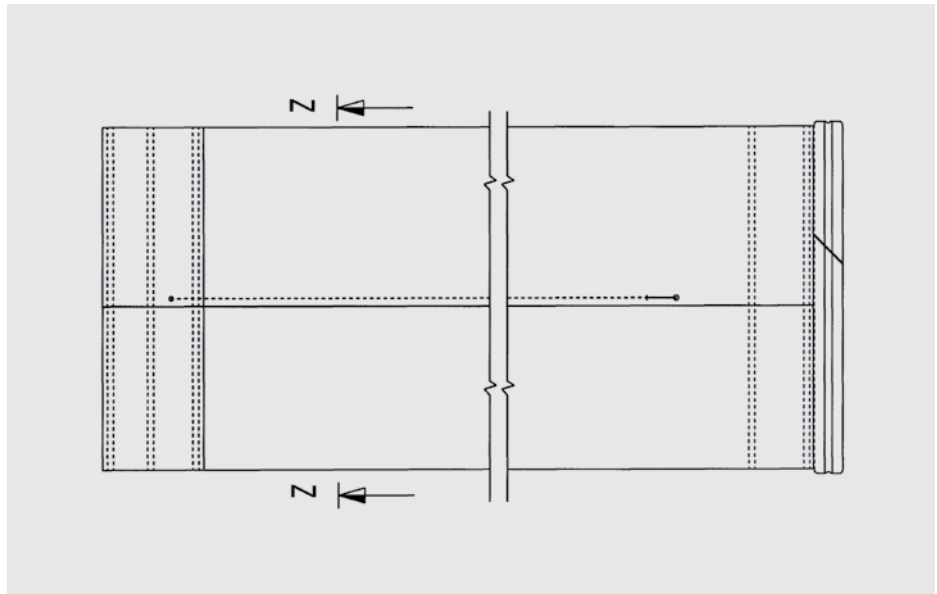
Quality and expansion of road network is a remarkable sign of a country development; the environmental care taken during its construction and maintenance is now crucial.

Asphalts production has a relevant impact on the environment and requires a strict control on flue gases and fumes generated during the preparation of asphalts.

Testori Group produces a wide range of **felts, as rolls or ready-made products, specifically designed for dust collectors required in bitumen production. Standard bags and two-channel bags are available for any plant type: fixed, continuous, batch mobile and retro flux.**



Standard filter bag



Two-channel filter bag



Brand new asphalt on a road



Filtering system in an asphalt production plant

PRODUCT PORTFOLIO

Filter media used for the production of **bags and pockets** can satisfy every kind of demand in several plant typologies, especially regarding working temperatures and particular compositions of filtered gases.

Our historical presence in this field and wide knowledge of filter media and operating conditions of the plants allow

us to choose the right features (fiber type, needlefelt's weight, air permeability range, chemical treatments) to realize an optimal product.

The table describes part of our solutions and their technical parameters:

Felt type	Fiber	Weight g/m ²	Air permeability @ 200 Pa l/dm ² · min	Maximum working temperature
X 402 SA - X 402 RH	DuPont™ Nomex®	400	200	200°C 220°C (peaks)
X 502 SA - X 502 RH		480	170	
X 401 SA - X 401 RH	Meta aramid	400	170	200°C 220°C (peaks)
X 501 SA - X 501 RH		480	150	
X 406 SA - X 406 RHS	Asphalt blend	400	200	160°C 180°C (peaks)
X 506 SA - X 506 RHS X 506 NOVATES		500	120 - 150	
D 525 SA - D 525 KL	Acrylic Homopolymer	525	140 - 170	130°C 140°C (peaks)
X 559 SA - X 559 RH	Endurafelt™ Special blend resistant to hydrolysis	550	140 - 170	200°C 220°C (peaks)

Other weights are available. All data are not binding and may vary



Metaramidic felt



Filter bags

Testori offers many solutions with **special treatments** (Rhytes, Novates and Kleentes) and **special felt** Endurafelt™ to obtain maximum efficiency, minimum pressure drop, optimal lifetime and suitable ranges of permeability and working temperatures. These treatments ensure oil/water repellence and/or make the felts surface particularly smooth.

Endurafelt™ is a particular **blend of meta-aramid and special acrylic fibers needed on meta-aramid scrim** (also available with different scrims such as PTFE) designed to create an optimal balance between high resistance to corrosion and good tensile strength for long life.

Filter bags are designed and produced following strict manufacturing procedures. Accuracy in measurements, quality of seams and thermo seals, selected materials and accessories ensure high-performing products, reduced emissions, long life and low energy consumption.

A **vertically integrated production** cycle, from the fibers selection till the ready-made products through carding, needling, weaving, finishing and stitching allows high efficiency levels, low energy consumption and long life.



Asphalt production plant



Asphalt production plant (courtesy of Bernardi Impianti)

ACCESSORIES, SPARE PARTS & SERVICES

Testori Group offers its know-how and experienced team (in co-operation with the technical staff of Filter-Tex and TTL France) for:

- **Installation and replacement** of filter bags
- **Maintenance and inspections** on the plant
- **Leakage tests** (with fluorescent inert powder)

We supply accessories and spare parts to guarantee the correct functioning of the equipment:

- **Bag cages**: in carbon or stainless steel, galvanized, with cathaphoresis coating or with other treatments to prevent corrosion. We supply also special cage tops with bottom pans welded to the inside and two or three pieces for long bags
- **Venturis**: available in spun mild steel, Nylon and cast aluminium
- **Electrodynamic probe for baghouse** (TUV approved in according to EN 15859): to allow continuous monitoring of flow rates and dust concentrations. Maintenance costs are significantly reduced

Our internal laboratories have **analytical capabilities** to optimize the filter performance and its maintenance:

- **Fiber type identification & chemical tests**: to verify process conditions and the powder nature
- **Dynamometric test** to evaluate mechanical properties
- Granulometric and porometric **test**
- **Permeability and efficiency test** (VDI)
- **Antistatic properties measurement**
- **Optical and electronic microscopy tests**
- **Used bags and pocket analysis**



Bags & cages



Bags installation



ITALY

FRANCE

U.A.E.

U.S.A.

Testori S.p.A.
Group Headquarters
Largo A. Testori, 5
20026 Novate Milanese (MI)
Italy
Tel. +39 02 3523 1
Fax +39 02 3523 230
info@testori.it

www.testori.it

For end users
Italy contact:



Tessitura Euganea s.r.l.
Via dell'industria - VI Strada 1
35023 Bagnoli di Sopra (PD) - Italy
Tel. +39 0495 380 755
Fax +39 0495 380 770
info@tessituraeuganea.it