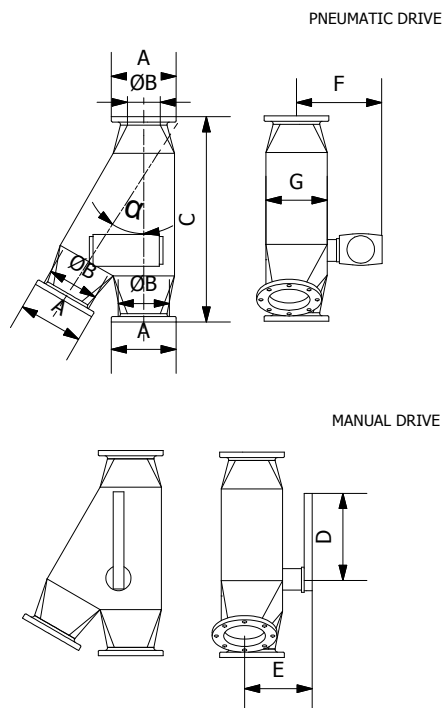
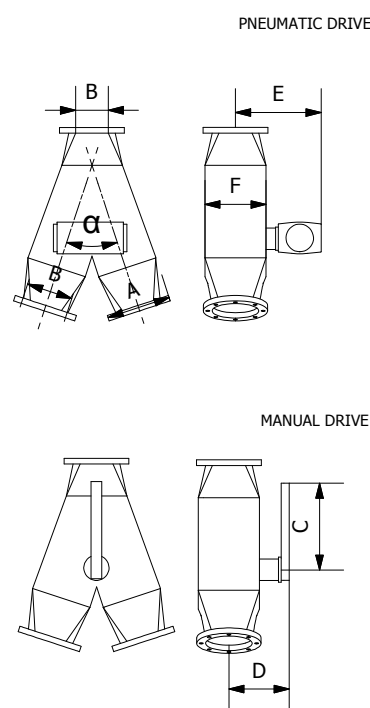


ASYMMETRIC DIVERTER



SYMMETRICAL DIVERTER



ASYMMETRIC	A*	B	C	α	D	E	F	G	SYMMETRIC	A*	B	α	C	D	E	F
DN100	DN100	114.3	435	35°	275	278	283	165	DN100	DN100	168.3	40°	275	265	300	165
DN125	DN125	141.3	435	35°	275	278	283	165	DN125	DN125	168.3	40°	275	265	300	165
DN150	DN150	168.3	435	35°	275	278	283	165	DN150	DN150	168.3	40°	275	265	300	165
DN200	DN200	219.1	515	35°	275	332	349	215	DN200	DN200	219.1	40°	275	290	365	215
DN250	DN250	273	580	35°	275	359	374	270	DN250	DN250	273	40°	275	320	390	270
DN300	DN300	323.9	655	35°	275	384	399	320	DN300	DN300	323.9	40°	275	345	415	320

* FLANGE

STANDARD FEATURES

- Flange Connection: Round
- Max Working Pressure: + / - 0,02 bar

Materials:

- Housing: Stainless Steel Aisi 304 / Aisi 326, Painted Mild Steel
- Seal: White Teflon

OPTIONAL FEATURES

- Manual, with lever, from DN100 to DN150
- With Gear Reduction, from DN200 to DN300
- Loose or Fixed Flange

SPECIFICATIONS

- Drive:
 - Double Acting
 - Box Micro
 - Drive Compressed Air: 6 bar
 - Working Pressure: 6 bar
- Control:
 - Double Solenoid Valve
 - Connection: 1 / 4 Gas
 - Working Temperature: -10° up to 80°C

NOL-TEC TWO WAYS GRAVITY DIVERTER DIVERTS PRODUCT IN TWO WAYS, WITHOUT PROBLEMS OF SPACE OR SHRINKAGE.

MADE IN CARPENTRY, WITH HEAVY CONSTRUCTION ENSURE STABILITY AND FUNCTIONALITY.
A POLYURETANE BAND BETWEEN TWO METAL PLATES ENSURE SEALING.