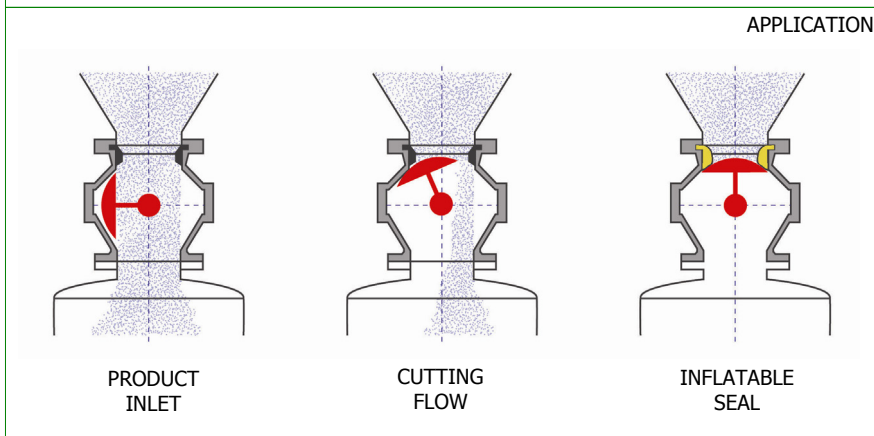
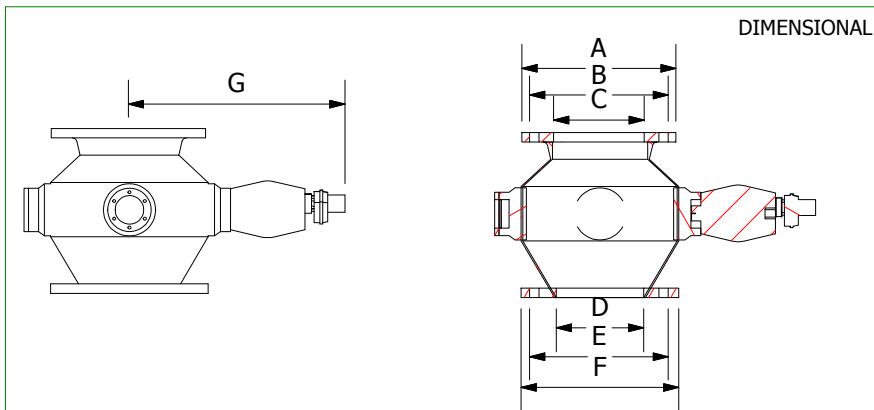
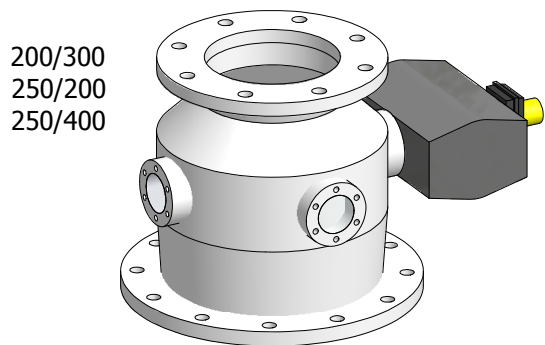
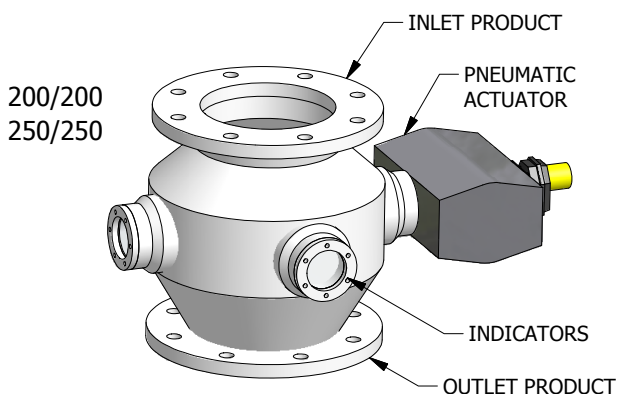


# ROTOLENS VALVE

For Powder and Granular Products.  
Perfect Pressure and Vacuum Seal.  
Model 517



TYPE	A (mm)	B (mm)	C (mm)	D (mm)	E (mm)	F (mm)	G (mm)	H (mm)	WEIGHT (KG)	INLET FLANGE	OUTLET FLANGE
RL 200/200	340	295	200	200	295	340	320	370	50	DN200	DN200
RL 250/250	395	350	240	270	350	395	500	516	80	DN250	DN250
RL 200/300	340	295	200	316	400	445	320	370	53	DN200	DN300
RL 250/300	395	350	240	316	400	445	750	365	85	DN250	DN300
RL 250/400	395	350	240	450	565	615	750	410	85	DN250	DN400

## STANDARD FEATURES

- Execution: stainless steel, AISI 316 (DN 200-250)
- Cap and loading cutting ring: FE chromium plated, AISI 316
- Inflatable seal: black silicon, food white silicon

## OPTIONAL FEATURES

- Execution: Stainless Steel, Aisi 304 / 316, Cap in Aisi 304 / 316, Cap in Chromium Fe, Inflatable seal in different Elastomers, Polish Internal and External for Food and "Pharma" Applications
- Air Fluxing for internal cleaning of visual warning lights.
- Brush for cleaning the cap when use granular products as plastic pellets
- Special Design for High Temperatures

## SPECIFICATIONS

- Temperature:
  - 1) 10-80° (standard)
  - 2) 10-200° (high temperature execution)
- Driving Gear: Manual, with control stick; Automatic, with double acting pneumatic actuator 6 Bar (MIN)

ROTOLENS VALVE IS FIT FOR POWDER AND GRANULAR PRODUCTS AND CAN GUARANTEE A PERFECT PRESSURE AND VACUUM SEAL. THE VALVE IS USED FOR DENSE PHASE PRESSURE PNEUMATIC CONVEYING SYSTEMS, SILO AND VESSEL INLET AND OUTLET FITTINGS.