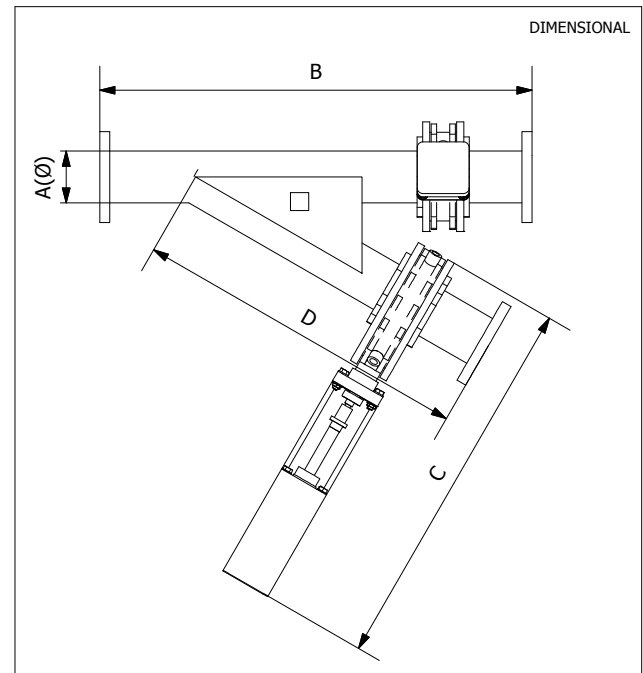
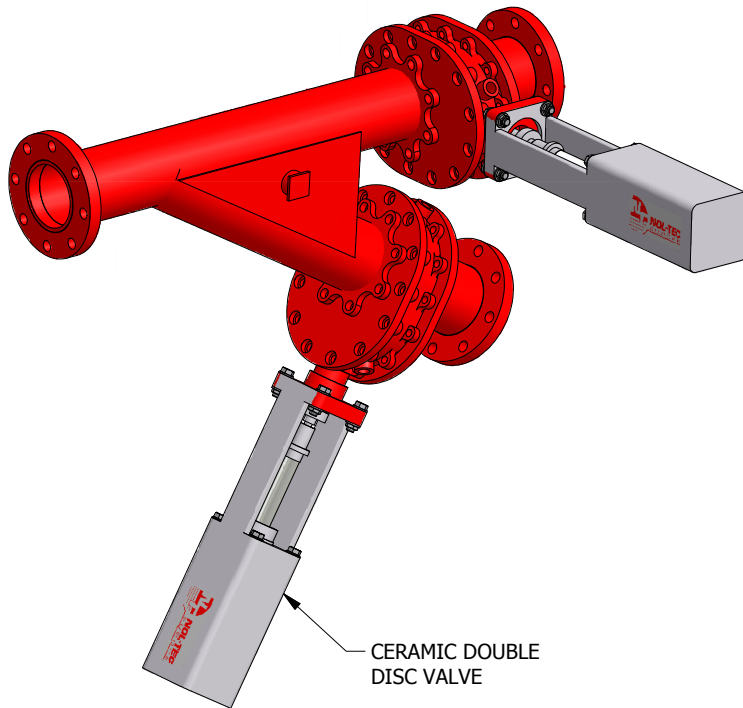




DIVERGING VERSION: DRAWING FOR ILLUSTRATIVE PURPOSE ONLY



SIZE*	ØA (mm)	B (mm)	C (mm)
2"	60,2	711	975
3"	88,9	584	950
4"	114,3	914	1050
5"	139/141	1092	1130
6"	168,3	1219	1235
8"	219,1	1372	1412
10"	273	1473	1625

STANDARD FEATURES

- *SIZE is the pipe nominal Diameter
- *bar is Max Casting Pressure
- Atoxic and Natural Rubber
- Converging / Diverging with appropriate wear resistant lining
- Special design to minimize valves wear

OPTIONAL FEATURES

- Mild Steel and Stainless Steel Construction
- Wear Resistant Construction
- One Loose Flange
- Other End Connection
- Purged Off-Leg
- Independent operation of the diverter legs
- Control Panel
- Ceramic Two Ways Diverging Pipe

SPECIFICATIONS

- Working Pressure: 8 bar maximum
 - Working Temperature: -29 °C to 400 °C
 - Sealing material
 - Driving Mode: manual, electric or pneumatic
- Air:
- Clean and Dry at Correct Pressure Dew Point

TWO WAYS CERAMIC DOUBLE DISC VALVE DIVERTERS ARE USED IN SYSTEMS WITH VERY HIGH-ABRASIVE POWDERS OR TINY SOLID PARTICLES

THIS DIVERTER ALLOWS INDEPENDENT OPERATION OF THE TWO LEGS. STRUCTURAL CERAMIC SEALING PROVIDES LONGER WORKING LIFE WITH LOWER MAINTENANCE COST.

THE PLATE WEARS GET BETTER THE SEALING DURING THE LIFE CYCLE.